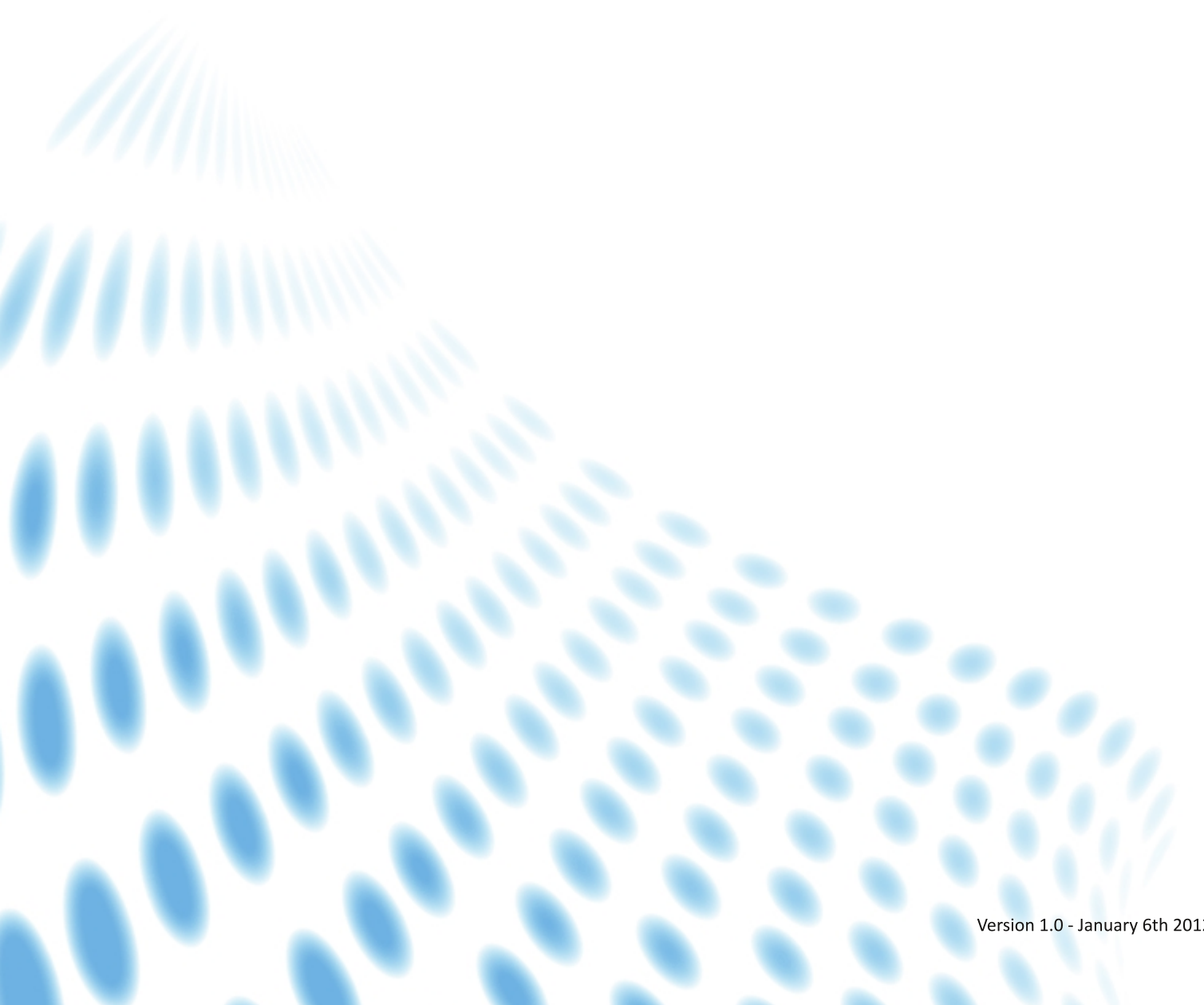




# dreamoc™ XL2

—  
factsheet



The Dreamoc XL2 is a 3 sided holographic display, which lets you combine a physical product with 3D holographic content. From the backdoor you can open into the chamber, where you can place your product for display. The Dreamoc XL2 has HD resolution and built-in sound.



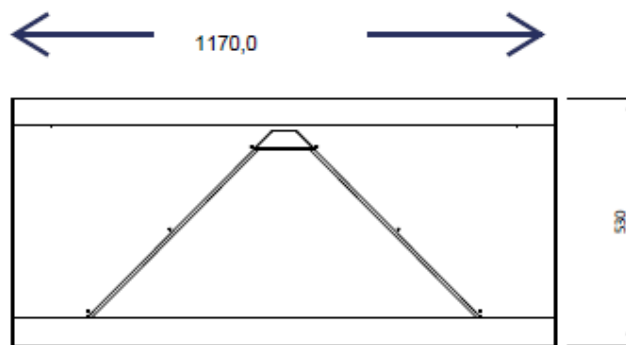
## FEATURES

- 3 sided viewing
- Combine physical objects with holographic content
- Plug and Play
- Easy change of content
- Adjustable LED light
- On/Off switch
- Restart button for player
- Remote Up/Download of content via FTP

- High ambient light tolerance
- Bright and sharp picture quality
- Key protected backdoor
- Adjustable light mask for LED
- Changeable bottom plate
- Built-in loudspeakers
- Remote configuration via HTTP

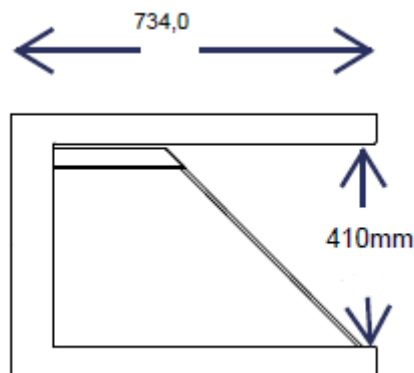
## SPECIFICATIONS

Consumption	189W
Power input	100-240V, 50-60 Hz
Screen size	46", 16:9
Resolution	1920 x 1080
Content	MPEG2, WMV9
Sound out	Mini-jack, Stereo
LED	15W
LED Driver	Adjustable
Input	CF Flash Card or HDMI
Network	10/100 Mbps Ethernet



## MEASUREMENTS

Dreamoc XL v2	
WxHxD	1170x530x734 mm
Weight	N/A
Freight measurements	
WxHxD	1310x780x870 mm
Weight:	76 Kg



## PACKAGE CONTENT

- Dreamoc XL2
- CF Flash card 2GB
- Power cord 500 cm
- Cleaning cloth
- Manual

## ACCESORIES

### FLIGHTCASE

Optimal for transportation if you use the Dreamoc in various locations. The flightcase has wheels for easy transport.

WxHxD 1230x750x800 mm

Weight 42 Kg

### STAND

The stand puts the Dreamoc XL2 in a perfect viewing angle.

WxHxD 1170x1012x734 mm

Freight measurements

WxHxD 1240x200x1070 mm

Weight 18 Kg

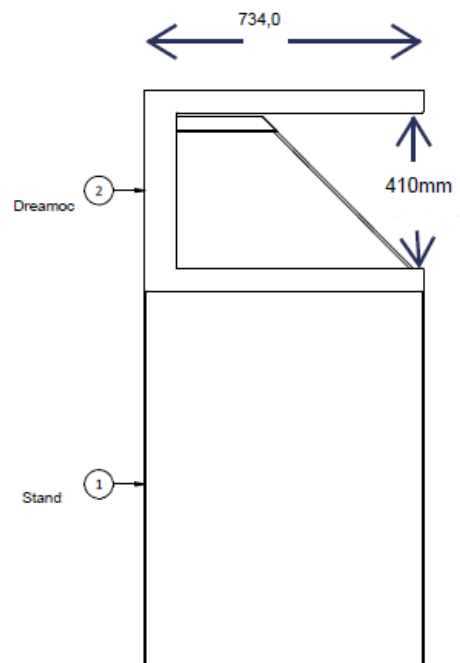
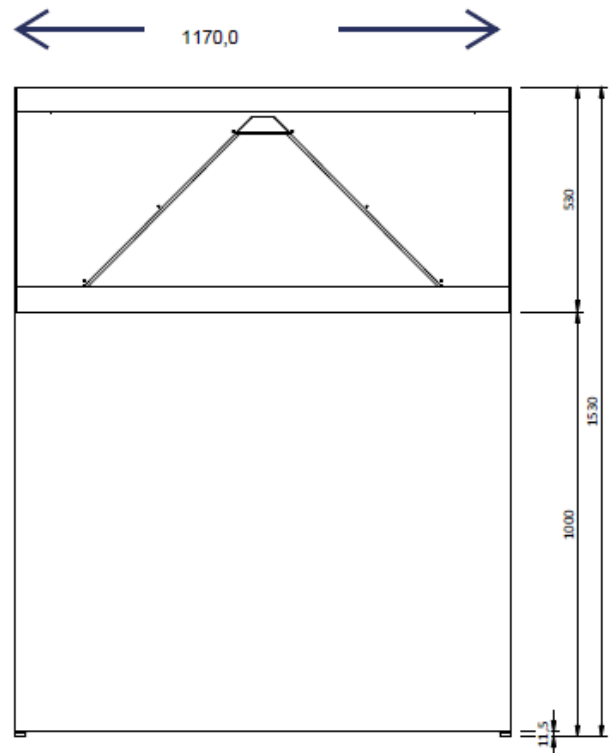
### OTHER ACCESORIES

PIR motion sensor

Interactivity box w/12 buttons (white)

Interactivity box w/12 buttons (black)

Podium demo incl. content



Specifications are subject to change without notice. We accept no liability for errors and changes.